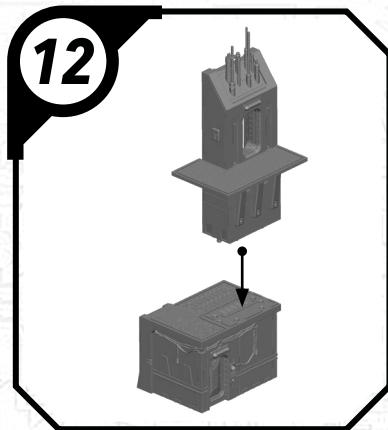
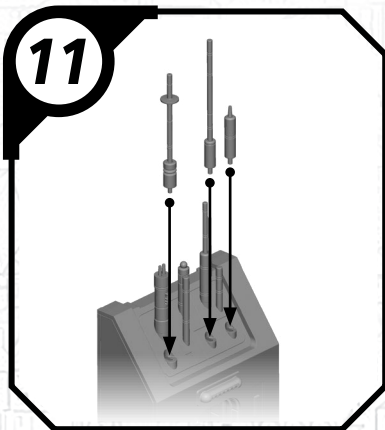
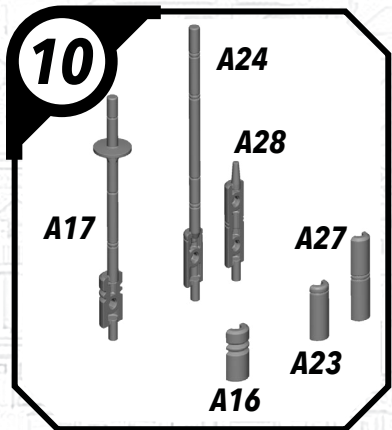
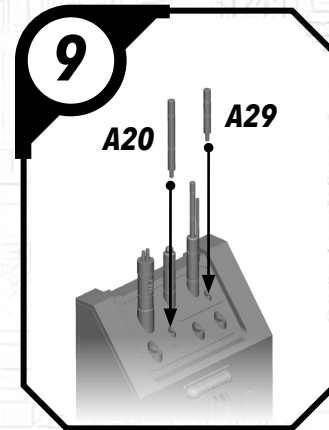
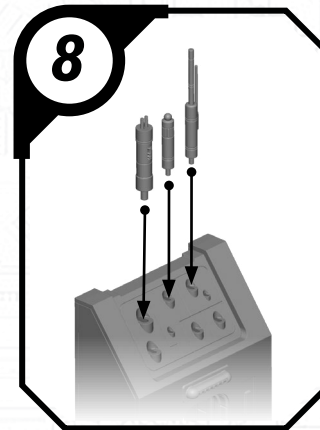
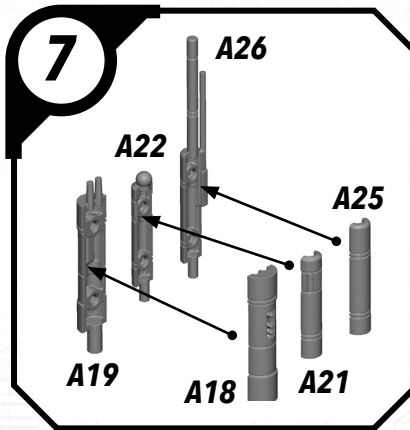
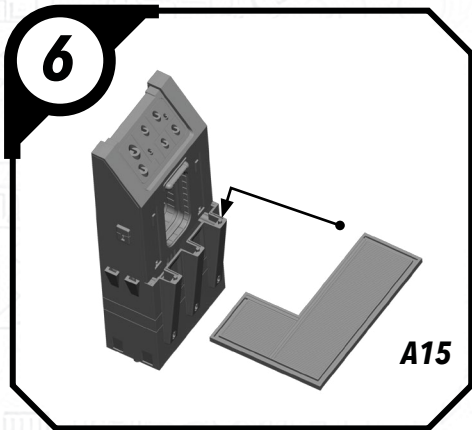
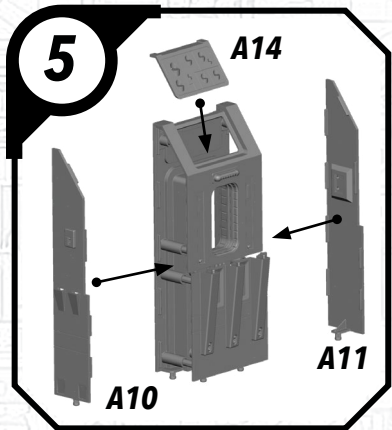
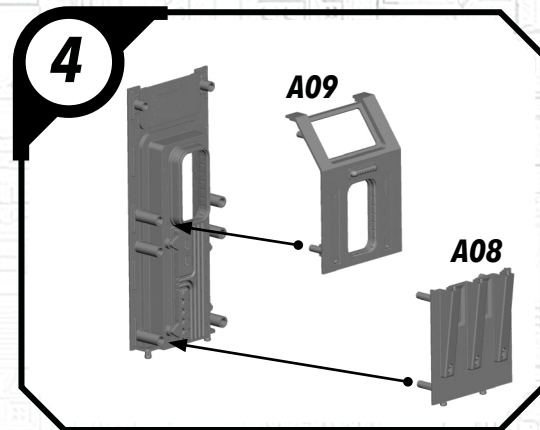
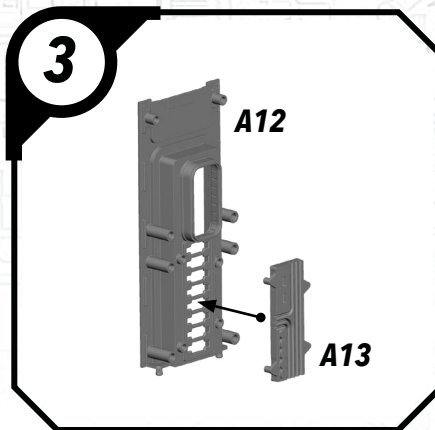
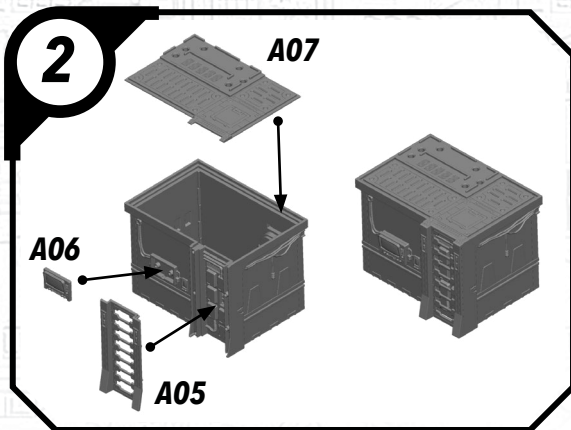
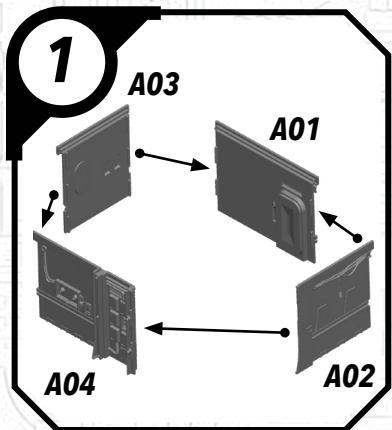


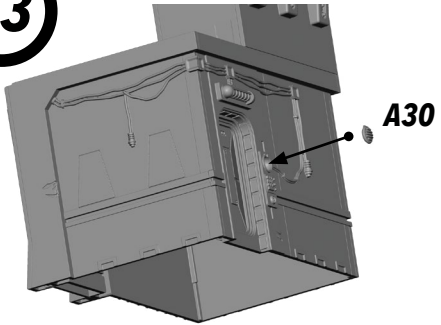
SWP02-HIGH GROUND (ARRAY)



ALL PARTS SHOULD BE ASSEMBLED USING PLASTIC GLUE. PERMISSION GRANTED TO PRINT OR PHOTOCOPY FOR PERSONAL USE.

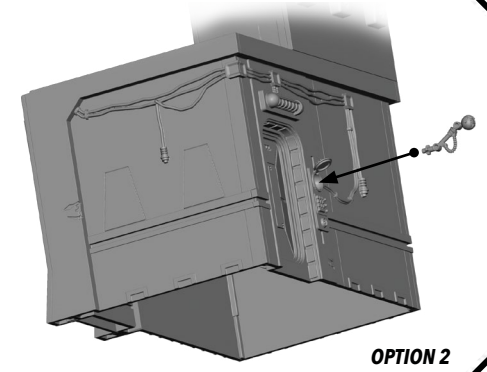
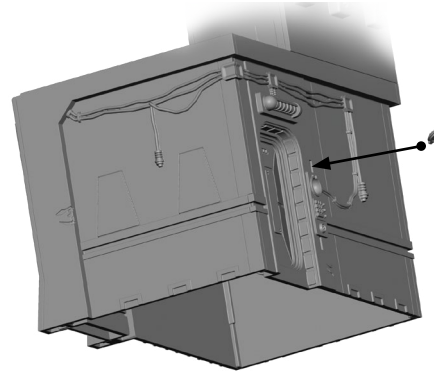
SWP02-HIGH GROUND (ARRAY)

13



OPTION 1

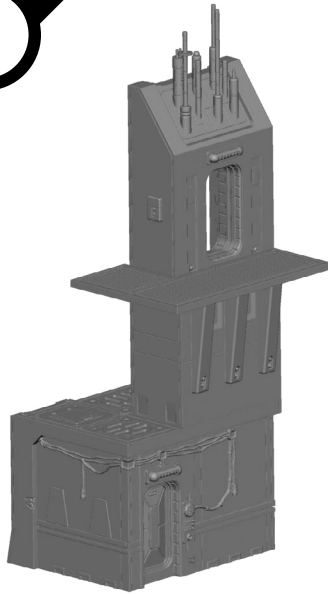
14



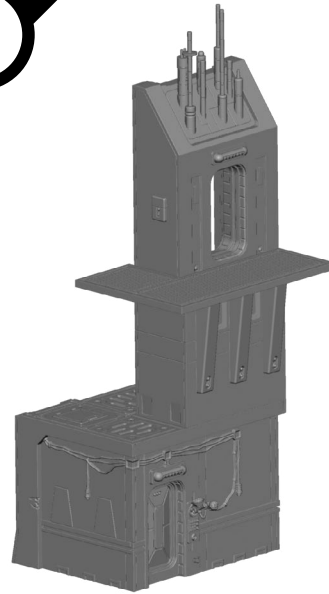
OPTION 2

SWP02-ASSEMBLY OPTIONS (ARRAY)

1



2



ALL PARTS SHOULD BE ASSEMBLED USING PLASTIC GLUE. PERMISSION GRANTED TO PRINT OR PHOTOCOPY FOR PERSONAL USE.